



622M64AQT PLATINUM PRECISION INDUSTRIAL ICP® ACCELEROMETER

Performance

	ENGLISH	SI	
Sensitivity (± 5%)	100 mV/g	10.2 mV (m/s ²)	[2]
Measurement Range	± 50 g	± 490 m/s ²	
Frequency Range (± 5%)	35 to 360,000 cpm	0.58 to 6000 Hz	[3]
Frequency Range (± 10%)	25 to 360,000 cpm	0.42 to 10,000 Hz	
Frequency Range (± 3 dB)	12 to 900,000 cpm	0.2 to 15,000 Hz	
Resonant Frequency	1800 kcpm	30 kHz	[1]
Broadband Resolution (1 to 10,000 Hz)	50 µg	490 µm/s ²	[1]
Non-Linearity	± 1%	± 1%	[4]
Transverse Sensitivity	≤ 5%	≤ 5%	

Environmental

Overload Limit (Shock)	5000 g pk	49,050 m/s ² pk
Temperature Range	-65 to +250 °F	-54 to +121 °C
Temperature Response	See Graph	See Graph
Enclosure Rating	IP68	IP68

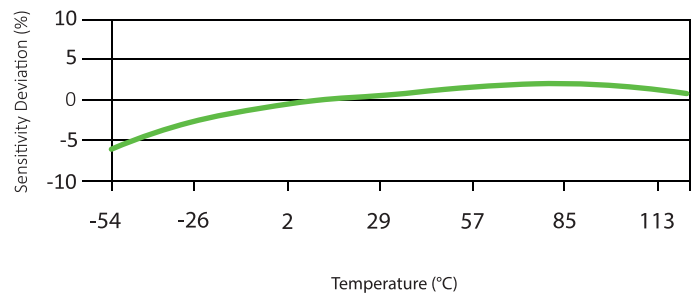
Electrical

Settling Time (within 1% of bias)	≤ 5.0 sec	≤ 5.0 sec	
Discharge Time Constant	≥ 0.8 sec	≥ 0.8 sec	
Excitation Voltage	18 to 28 VDC	18 to 28 VDC	
Constant Current Excitation	2 to 20 mA	2 to 20 mA	
Output Impedance	< 100 ohm	< 100 Ohm	
Output Bias Voltage	8 to 12 VDC	8 to 12 VDC	
Spectral Noise (10 Hz)	4.0 µg/√Hz	39.2 (µm/s ²)/√Hz	[1]
Spectral Noise (100 Hz)	0.8 µg/√Hz	7.85 (µm/s ²)/√Hz	[1]
Spectral Noise (1 kHz)	0.4 µg/√Hz	3.92 (µm/s ²)/√Hz	[1]
Electrical Protection	RFI/ESD	RFI/ESD	
Electrical Isolation	> 10 ⁸ Ohm	> 10 ⁸ ohm	

Physical

Size (Hex x Height)	7/8 in x 2.06 in	22 mm x 52.3 mm	
Weight	3.3 oz	94 gm	
Mounting Thread	1/4-28 Female	No Metric Equivalent	[5]
Mounting Torque	2 to 5 ft-lb	2.7 to 6.8 Nm	
Sensing Element	Ceramic	Ceramic	
Sensing Geometry	Shear	Shear	
Housing Material	Stainless Steel	Stainless Steel	
Sealing	Welded Hermetic	Welded Hermetic	
Electrical Connector	2-Pin MIL-C-5015	2-Pin MIL-C-5015	
Electrical Connection Position	Top	Top	

Typical Sensitivity Deviation vs Temperature



NOTES:

- [1] Typical.
- [2] Conversion Factor 1g = 9.81 m/s².
- [3] The high frequency tolerance is accurate within ± 10% of the specified frequency.
- [4] Zero-based, least-squares, straight line method.
- [5] 1/4-28 has no equivalent in S.I. units.



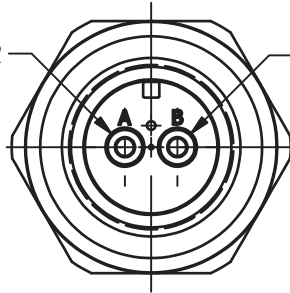


2



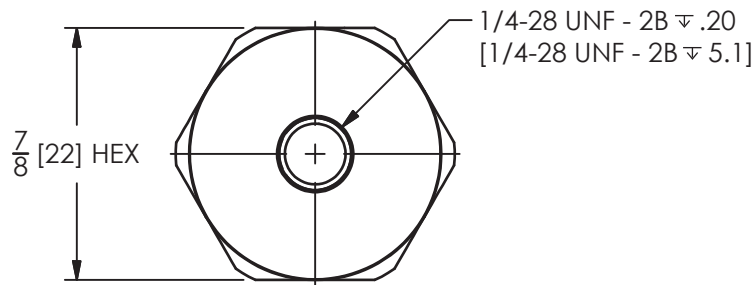
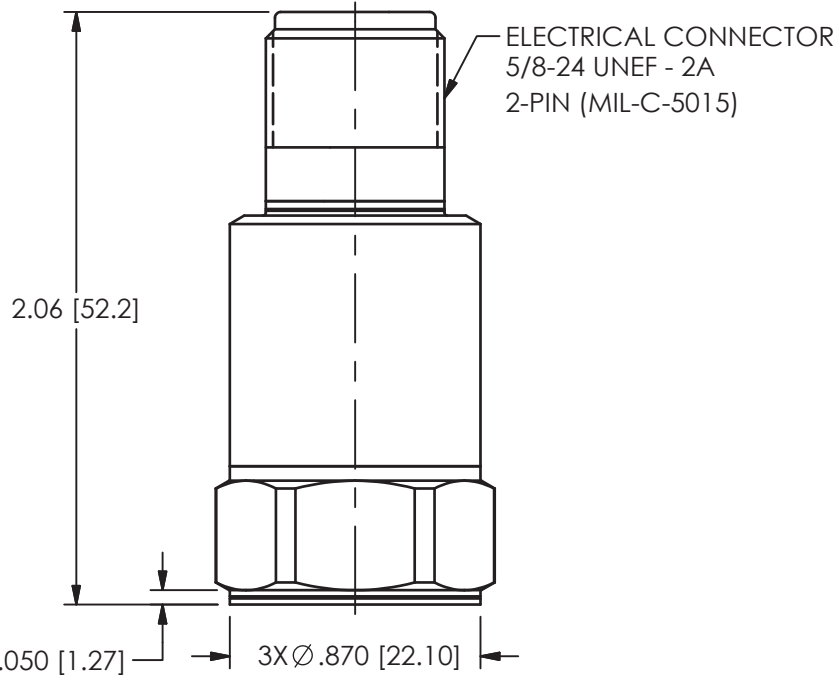
1

SIGNAL/POWER GROUND




B

B



A

A

UNLESS OTHERWISE SPECIFIED TOLERANCES ARE:		TITLE OUTLINE DRAWING MODEL (EX)(M)(HT)(VO) ACCELEROMETER	 E-MAIL: sales@aqtech.com	
DIMENSIONS IN INCHES	DIMENSIONS IN MILLIMETERS [IN BRACKETS]			
DECIMALS XX ±.03 XXX ±.010	DECIMALS X ± 0.8 XX ± 0.25		SCALE: 1.5X	SHEET 1 OF 1
ANGLES ± 2 DEGREES	ANGLES ± 2 DEGREES			
FILLETS AND RADII .003 - .005	FILLETS AND RADII 0.07 - 0.13			

2



1